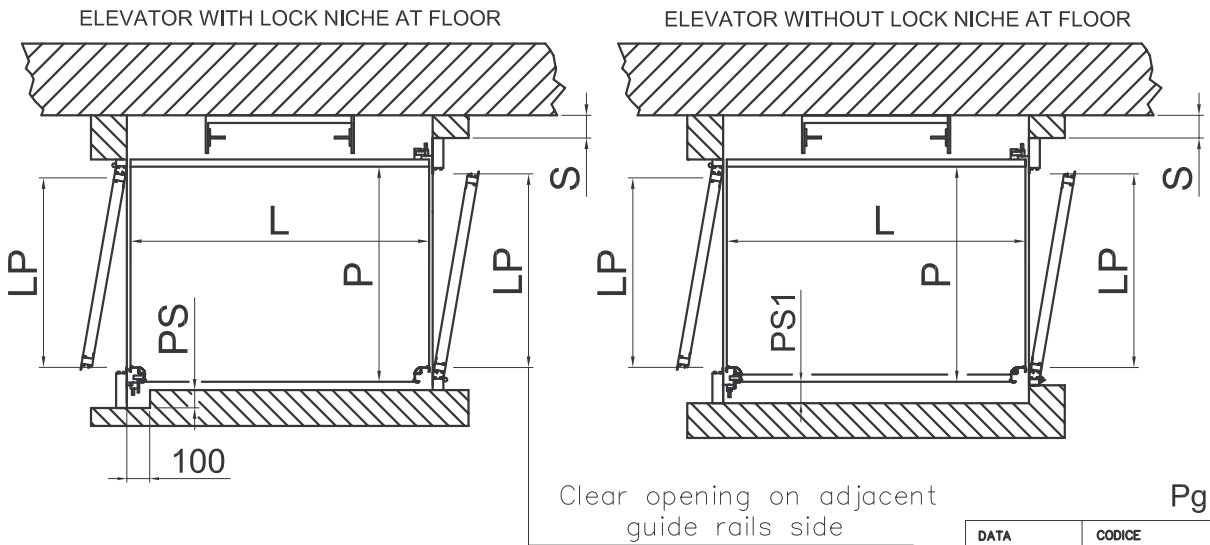
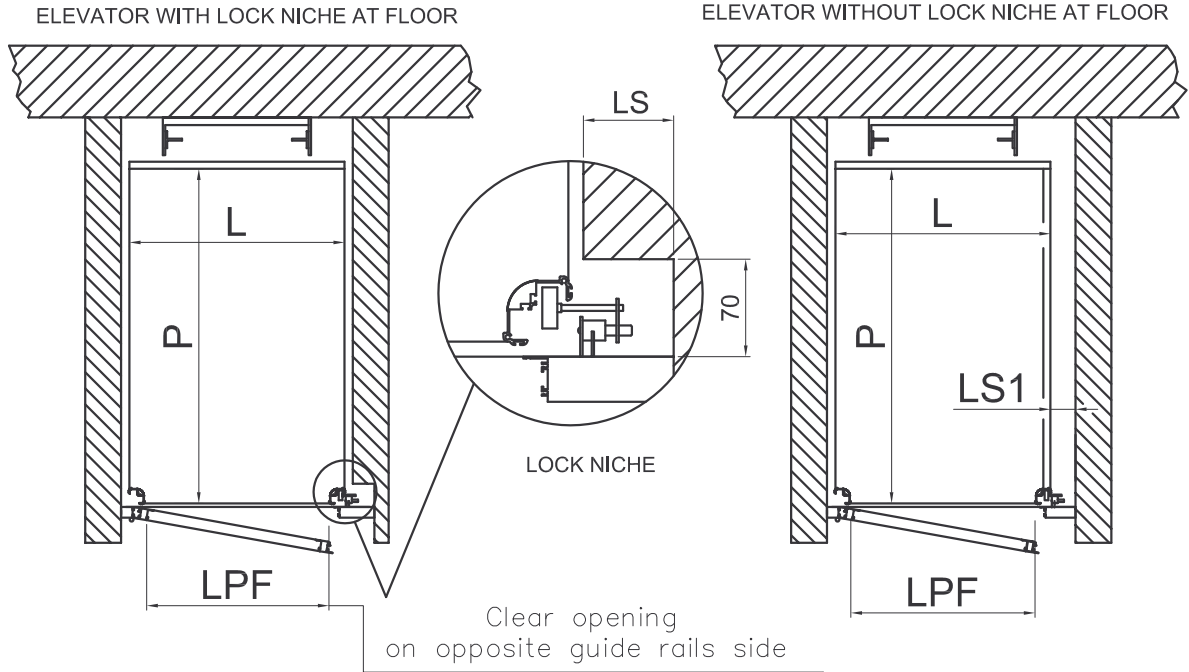


PLANE VIEW OF ELEVATORS
(MASONRY SHAFT)



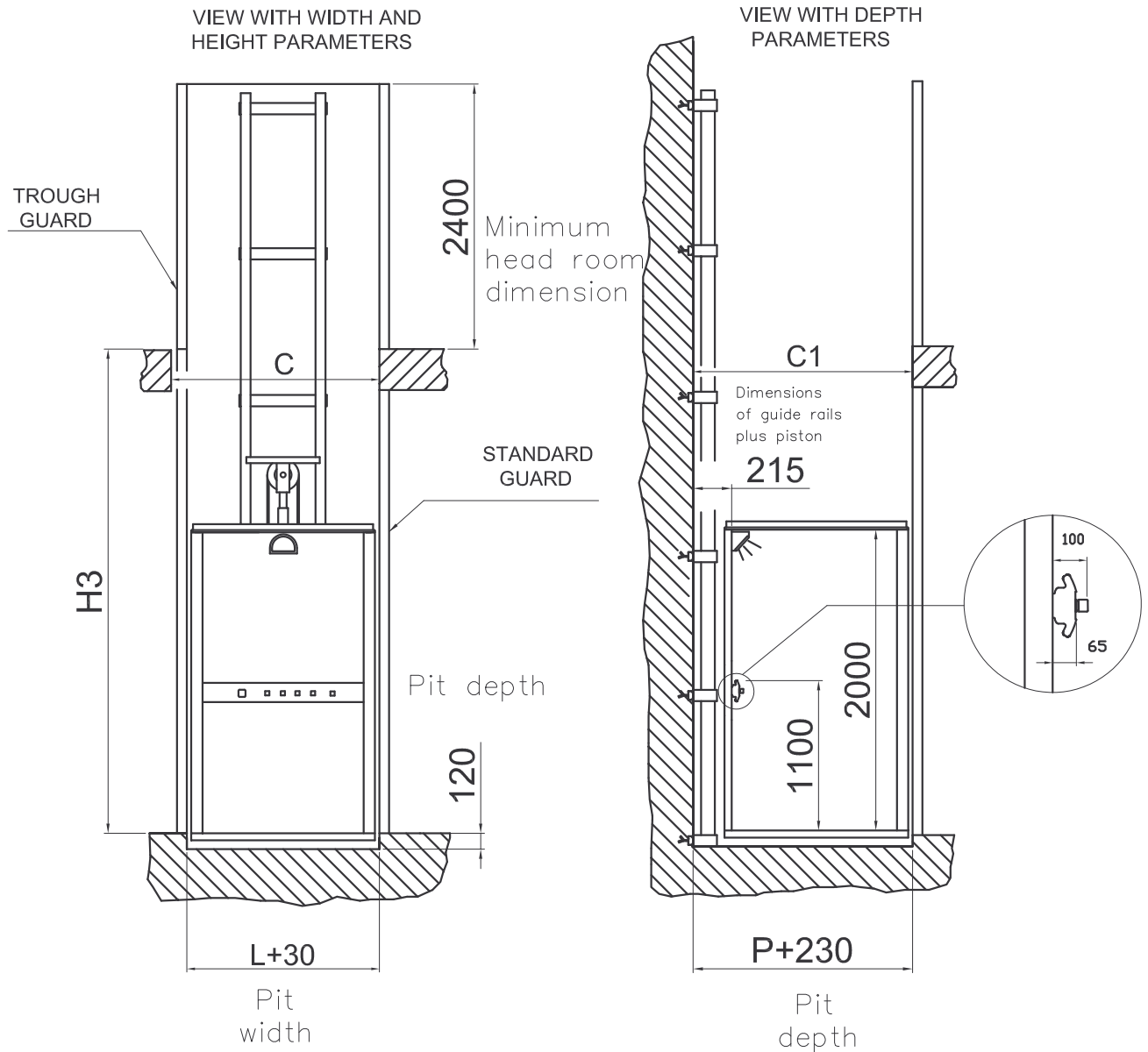
DATA	CODICE
01/04/05	8621801

STANDARD SIZES

	L (Width)	P (Depth)		L	P
ACCESS: -SIDE -FRONT -COMBINED	770	950	ACCESS: -SIDE -FRONT -COMBINED	1250	1250
	950	770		1000	1250
	900	850		1400	1000
	850	900		1000	1400
				1400	1100
				1100	1400
				1250	1000
				1250	850
				850	1250

VARIABLES	GLAZED ALUMINIUM DOORS	DOUBLE SKIN PANEL / GLAZED DOORS
LP	P-75 (MAX 950) (PUSHB. PANEL EXCLUDED)	P-75 (MAX 950) (PUSHB. PANEL EXCLUDED)
PS	45/60	45/60
PS1	60	60
LS	45/60	45/60
LS1	60	60
LPF	L-150 (MAX 950)	L-150 (MAX 950)
S	70	100

ELEVATOR FRONT AND SIDE VIEW
(WITH GUARDS)



$H3 = 10.3m$

Pg 2/3

N.B. The travel distance $H3$ can be increased up to $11.35m$ with a smaller-sized car.

DATA
01/04/05

CODICE
8621801

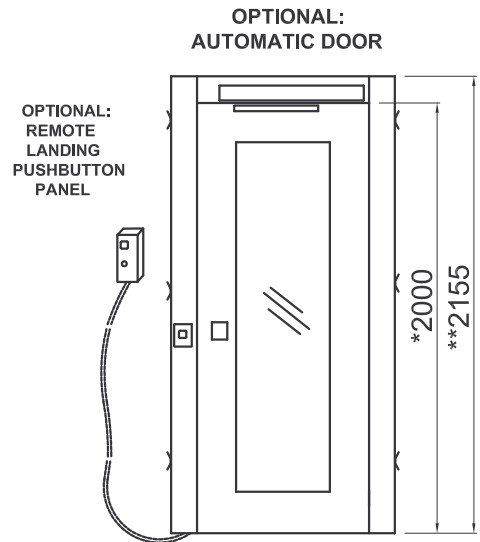
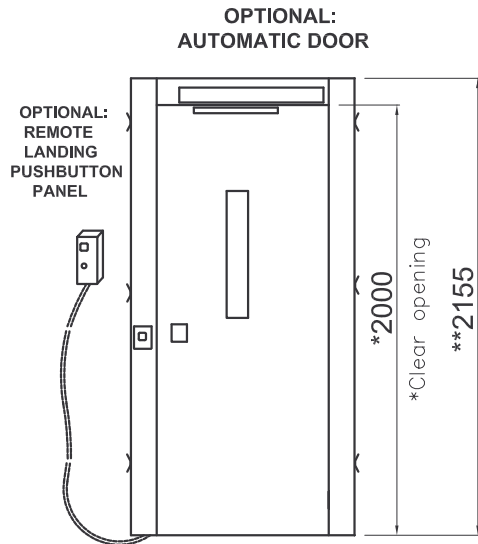
STANDARD SIZES

C Shaft width	WITH STANDARD GUARDS OR MASONRY SHAFT	$L+30$
	WITH ONE THROUGH GUARD	$L+80$
	WITH TWO THROUGH GUARDS	$L+130$
C1 Shaft depth	WITH STANDARD GUARDS OR MASONRY SHAFT	$P+230$
	WITH THROUGH GUARDS	$P+280$

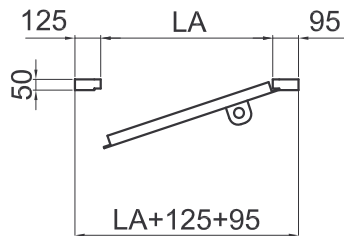
TECHNICAL FEATURES

Rated load	Power	Voltage	Motor voltage	Auxiliary voltage	Speed
300 [daN]	1.5 [KW]	230 [V-mon.]	230 [V]	24 [V-cc]	6-9 [m/min.]

DOOR TYPE



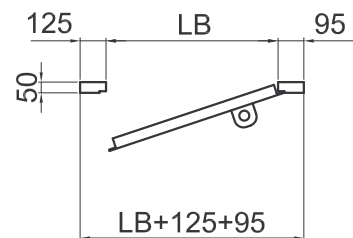
DOUBLE SKIN
PANEL DOOR



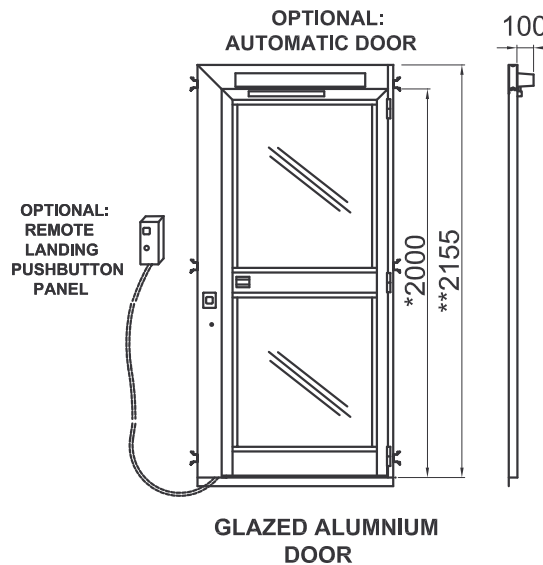
LA =	600
	650
	700
	750
	800
	860
	900
	950
	1000

LB =	750
	800
	860

GLAZED
DOOR



LA-LB-LC=CLEAR OPENING



LC =	600
	700
	750
	800
	860
	900
	950

