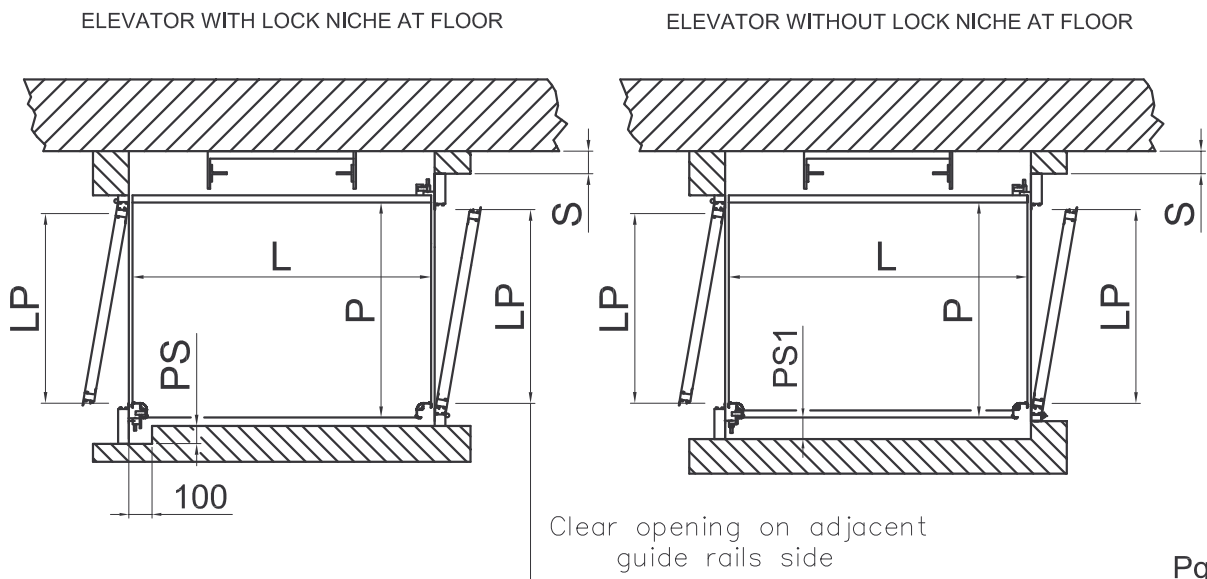
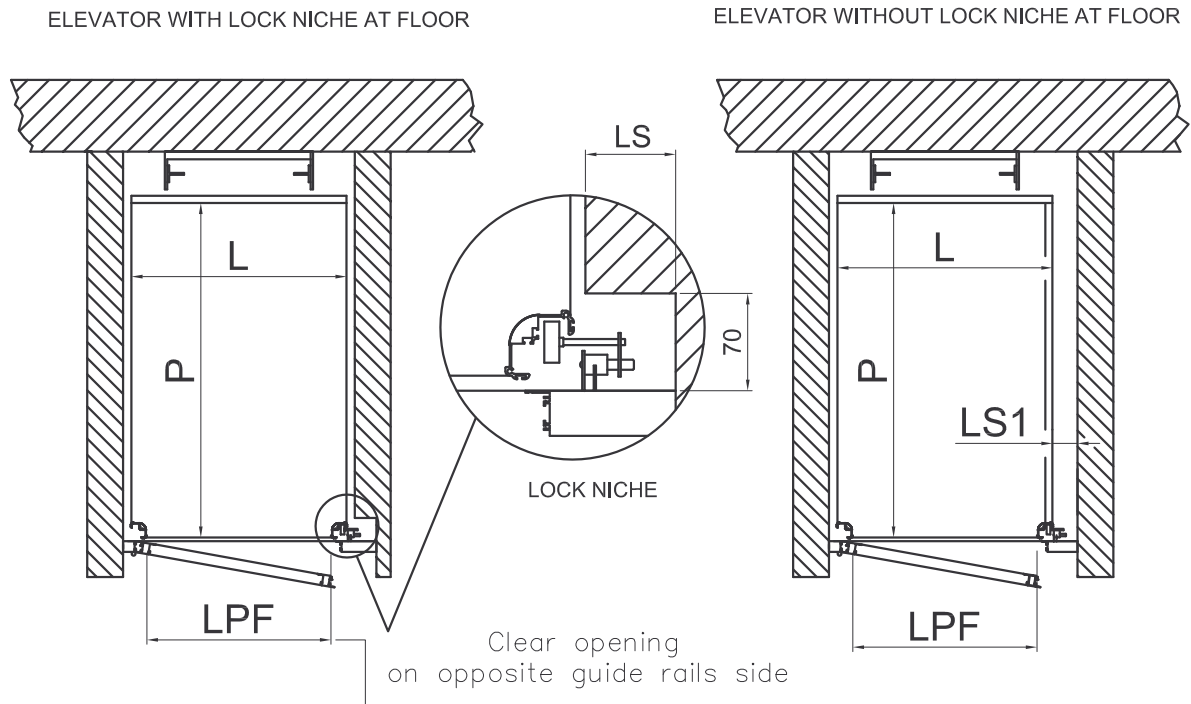


PLANE VIEW OF ELEVATORS  
(MASONRY SHAFT)

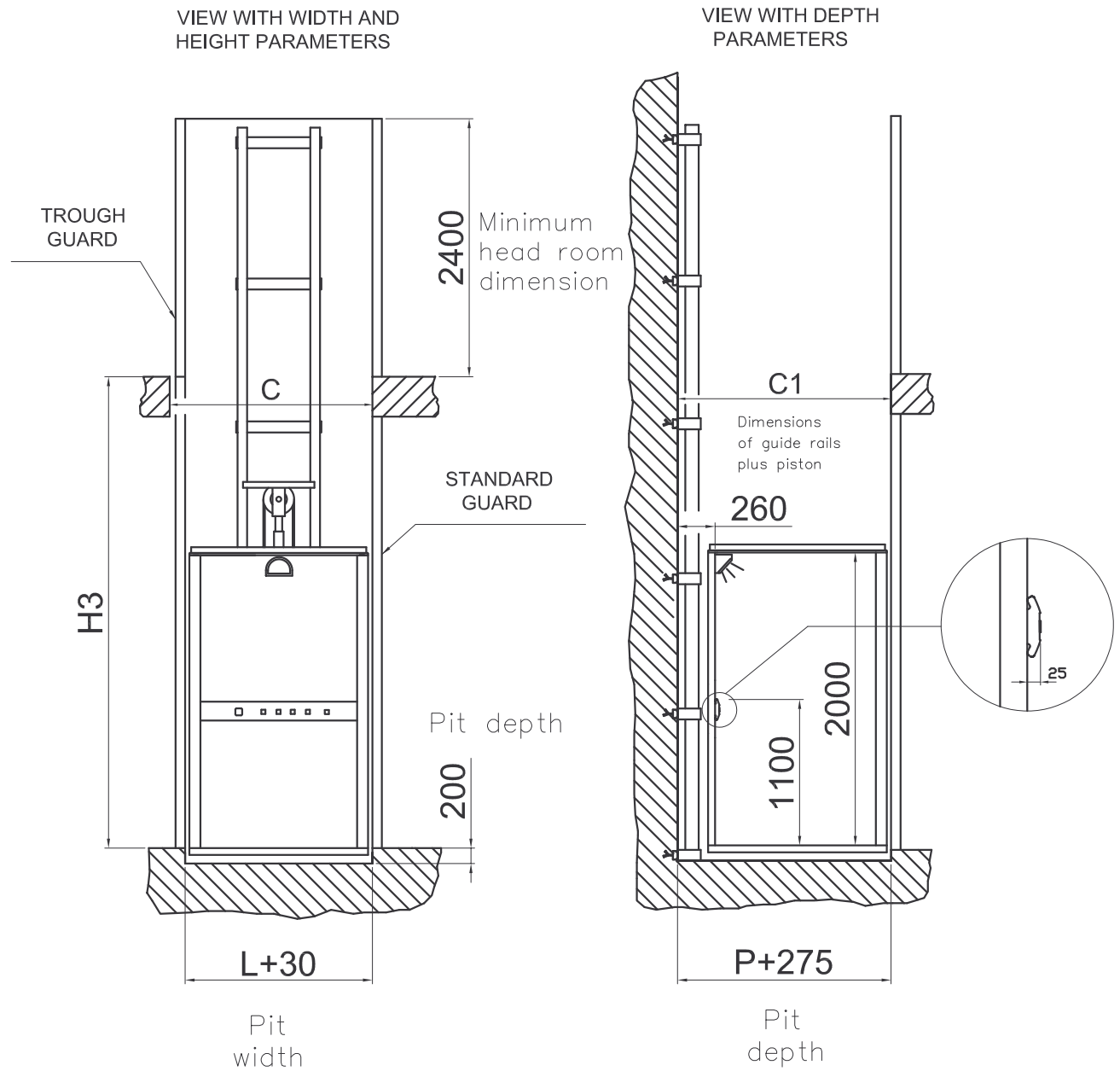


DATA	CODICE
01/04/05	8622200

STANDARD SIZES

	L (Width)	P (Depth)
ACCESS: -SIDE -FRONT -COMBINED	-MINIMUM PLATFORM WIDTH 1400	-MAXIMUM PLATFORM DEPTH 1100 WITH WIDTH GREATER THAN 1400
	2200 (Max)	1100 (Max)
	1400 (Min)	1400 (Min)
VARIABLES	GLAZED ALUMINIUM DOORS	DOUBLE SKIN PANEL / GLAZED DOORS
LP	P-75 (MAX 950) (PUSHB. PANEL EXCLUDED)	P-75 (MAX 950) (PUSHB. PANEL EXCLUDED)
PS	45/60	45/60
PS1	60	60
LS	45/60	45/60
LS1	60	60
LPF	L-150 (MAX 950)	L-150 (MAX 950)
S	115	145

ELEVATOR FRONT AND SIDE VIEW  
(WITH GUARDS)



H3 = 8.2m

DATA	CODICE
01/04/05	8622200

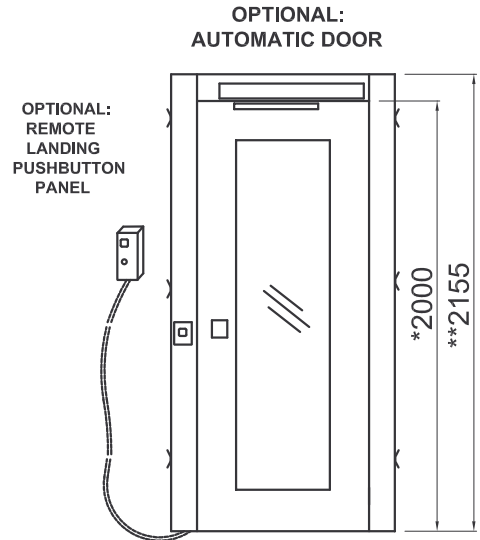
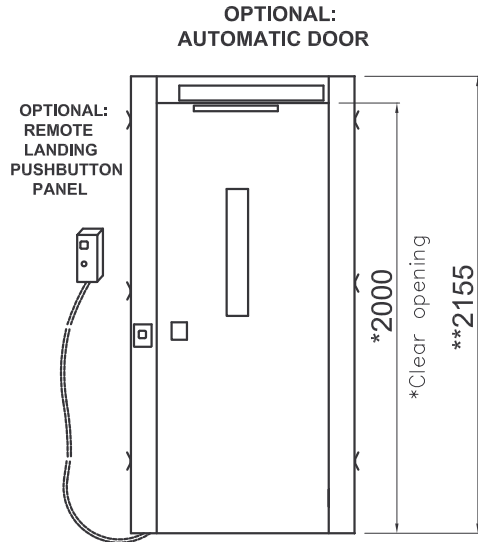
STANDARD SIZES

C Shaft width	WITH STANDARD GUARDS OR MASONRY SHAFT	L+30
	WITH ONE THROUGH GUARD	L+80
	WITH TWO THROUGH GUARDS	L+130
C1 Shaft depth	WITH STANDARD GUARDS OR MASONRY SHAFT	P+275
	WITH THROUGH GUARDS	P+325

TECHNICAL FEATURES

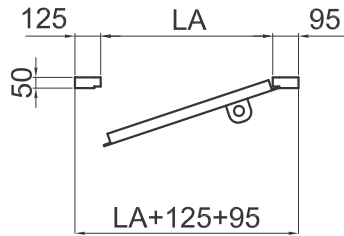
Rated load	Power	Voltage	Motor voltage	Auxiliary voltage	Speed
600 [daN]	2.5 [kW]	230 [V-mon.]	230 [V]	24 [V-cc]	6-9 [m/min.]

DOOR TYPE



\*\*Total overall dimensions  
including frame

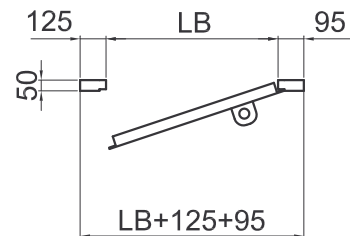
DOUBLE SKIN  
PANEL DOOR



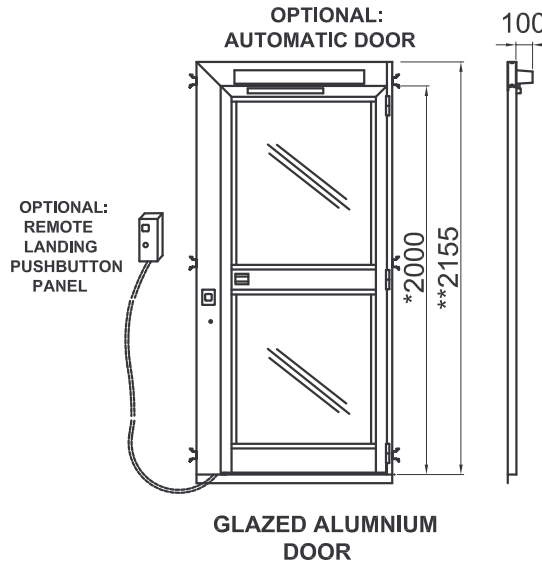
LA =	600
	650
	700
	750
	800
	860
	900
	950
	1000

LB =	750
	800
	860

GLAZED  
DOOR



LA-LB-LC=CLEAR OPENING



LC =	600
	700
	750
	800
	860
	900
	950

