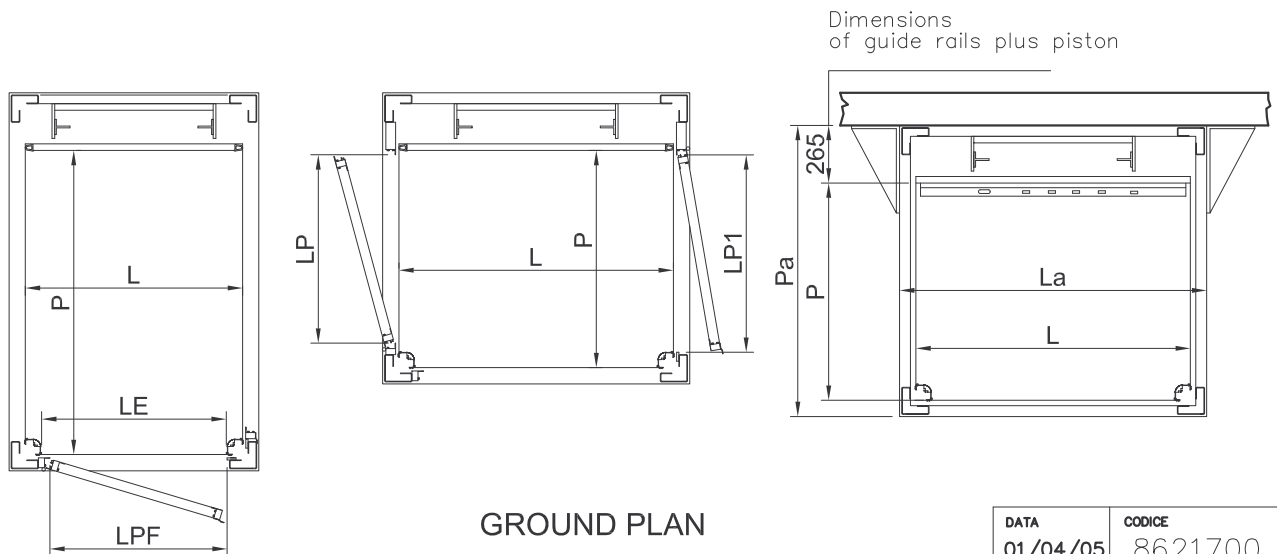




FRONT AND SIDE VIEW



GROUND PLAN

DATA	CODICE
01/04/05	8621700

STANDARD SIZES

La (structure) = $L+150$ *	FOR DIMENSIONS "L" AND "P" SEE TECHNICAL DOCUMENT CODE: -8621801 "E06"	STRUCTURE GLASS THICKNESS= 4+4 mm
Pa (structure) = $P+340$ *		
* FOR EVERY ADDITIONAL WALL ADD 20 mm		

TECHNICAL FEATURES

-FIX THE BASE TO THE GROUND WITH THE SCREW ANCHORS PROVIDED -AT THE LANDINGS, AND IN ALL CASES EVERY 4 METRES, ANCHOR THE STRUCTURE TO THE WALL ON AT LEAST 2 SIDES	Rated load 300 (daN)
	FOR THE OTHER TECHNICAL CHARACTERISTICS SEE TECHNICAL DOC. CODE -8621801 "E06"

OVERALL DIMENSIONS

		GLAZED ALUMINIUM DOORS			
GENERAL DATA			H4	FOR OUTDOOR USE (FOR ASSEMBLY)	2650
	LP	P-155 (MAX 950)		FOR INDOOR USE (FOR ASSEMBLY)	2600
	LP1	P-100 (MAX 950)	H5	FOR OUTDOOR USE (FINISHED)	2650
	LPF	L-210 (MAX 950)		FOR INDOOR USE (FINISHED)	2410